



See every bit, byte, and packet™

P1GCCB

Portable Breakout TAP for
10/100/1000 Megabit Networks

P1GCCB At a Glance:

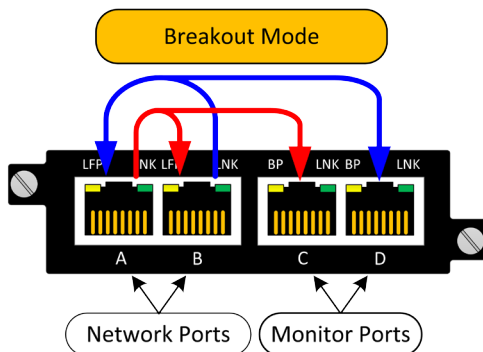
- 10/100/1000M TAP
- Copper Network and Monitoring Ports
- Breakout TAP Mode
- Easy Configuration
- Switches on Back
- Small Portable Form Factor
- Rack Mount 4 TAPs in a 1U Plate
- Supports Jumbo Frames
- Supports Link Failure Propagation (LFP)
- Passes Physical Errors
- 100% Secure and invisible no IP Address & No MAC Address
- Link Speed Synchronization

A Portable Solution

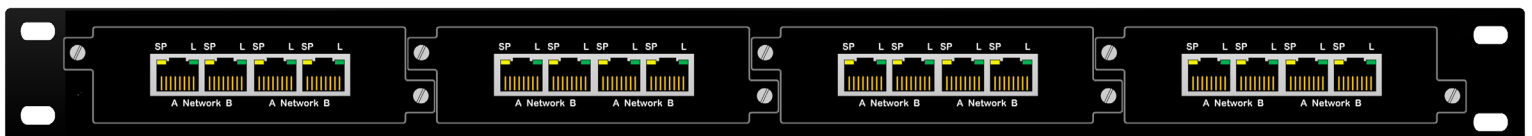


The portable network TAP is ideal for 10/100/1000M copper network monitoring and troubleshooting. The innovative design allows this TAP to easily install into any copper 10/100/1000M network segment. Once installed, the P1GCCB will enable you to monitor, troubleshoot, or analyze your network segments without dropping any packets. The P1GCCB offers an easy-to-deploy network access solution.

Traffic and Mounting Illustrations



Monitor your traffic in both directions with our easy-to-use, plug-n-play P1GCCB Breakout TAP.



The RMP-1U Rackmount Plate holds all P1GCCB, P1GxxA and P1GxxBP TAPs securely for a high-density solution. Our RMP-1U measures 19.0"W x 1.7"H x 9.1"D



P1GCCB

Garlandtechnology.com



Have Questions?

- Email sales@garlandtechnology.com
- Call +1 716.242.8500
- Visit garlandtechnology.com

Technical Details

Network Ports:	2 Copper RJ-45	Ambient Temp.:	0C to +40C / +32F to +104F
Monitor Ports:	2 Copper RJ-45	Operating Rel. Humidity:	90% non-condensing
Network Port Speed:	10/100/1000M	Storage Temp.:	-20C to +70C / -4F to +158F
Monitor Port Speed:	10/100/1000M	Voltage (AC/DC):	6 Volts
Size (WxHxD):	3.9" x 1.15" x 6.5"	Current (nominal):	1.4 amps
Weight:	0.6 lbs	Maximum Consumption:	8.5 watts

Product Details

Model #	Media		Breakout	Modes			Link Speed Synchronization	Network Speed
	Network	Monitor		Aggregating	Regenerating/SPAN	Bypass		
P1GCCB	Copper	Copper	✓				✓	10/100/1000M

Ordering Information

Model #	Description
P1GCCB	Portable 10/100/1000M Copper Breakout TAP
RMP-1U	1U Rack Mount Plate - holds up to 4 P1GCCB, P1GxxA, or P1GxxBP TAPs



This document is for informational purposes only. The information in this document, believed by Garland Technology to be accurate as of the date of publication, is subject to change without notice. Garland Technology assumes no responsibility for any errors or omissions in this document and shall have no obligation to you as a result of having made this document available to you or based upon the information it contains.

Copyright 2014 © Garland Technology LLC. All Rights Reserved